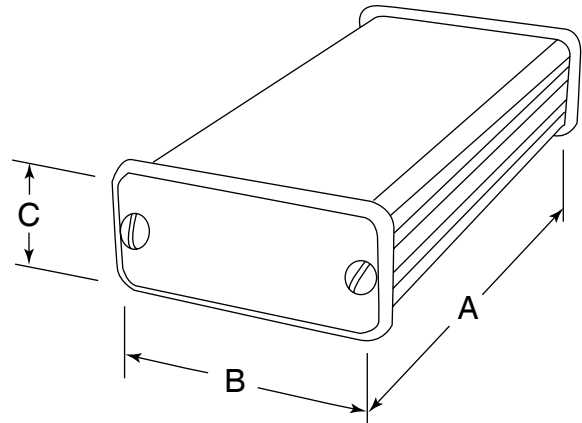


Extruded With Metal End Plates (1455 Series)



KEY FEATURES

- Designed to house P.C. boards or for equipment interfacing.
- Sized for standard Eurocards.
- P.C. boards mount horizontally by sliding into internal slots extruded into the enclosure body.
- Rugged body constructed from extruded aluminum with a minimum thickness of .06" (1.5 mm).
- Extruded body includes a slide removable "belly" plate.
- Includes two aluminum end panels (matched to aluminum body finish) and two black plastic bezels. These plastic bezels can be optionally installed to create a modern look.
- Hardware and self-adhesive rubber feet included.

Part Number		Units	A Length	B Width	C Depth
Clear	Black				
1455P1601	1455P1601BK	inch mm	6.30 160	4.74 120.5	1.20 30.5
1455Q1601	1455Q1601BK	inch mm	6.30 160	4.74 120.5	2.03 51.5
1455P2201	1455P2201BK	inch mm	8.66 220	4.74 120.5	1.20 30.5
1455Q2201	1455Q2201BK	inch mm	8.66 220	4.74 120.5	2.03 51.5

NOTE: For original 16 sizes and accessories, see page 82 of the 9C-05 catalog.



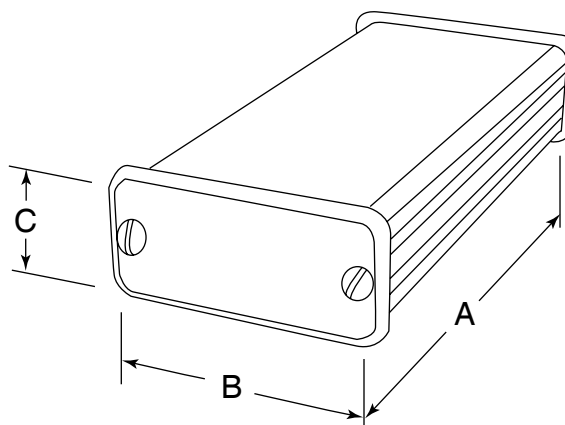
CANADA
Guelph, Ontario (519) 822-2960
St. Laurent, Quebec (514) 343-9010
USA
Cheektowaga, NY (716) 630-7030

www.hammondmfg.com

EUROPE
Basingstoke, UK 01256 812812

AUSTRALIA
Queenstown, Australia 61-8-8240-2244

Extruded With Plastic End Panels (1455 Series)



KEY FEATURES

- Designed to house P.C. boards or for equipment interfacing.
- Sized for standard Eurocards.
- P.C. boards mount horizontally by sliding into internal slots extruded into the enclosure body.
- Rugged body constructed from extruded aluminum with a minimum thickness of .06" (1.5 mm).
- Extruded body includes a slide removable "belly" plate - except the smaller "A" & "B" sizes (i.e. 1455A & 1455B series).
- Smaller sizes ("A" & "B") are rounded for better hand held ergonomics.
- Includes two easy to machine, black solid ABS plastic end panels. Panels are one piece with integral bezel.
- Extruded, anodized aluminum body.
- All hardware and rubber feet are included.

Part Number		Units	A Length	B Width	C Depth
Black	Clear				
1455A802BK	1455A802	inch mm	3.15 80	2.76 70	0.47 12
1455B802BK	1455B802	inch mm	3.15 80	2.82 71.7	0.75 19
1455A1002BK	1455A1002	inch mm	3.94 100	2.76 70	0.47 12
1455B1002BK	1455B1002	inch mm	3.94 100	2.82 71.7	0.75 19
1455A1202BK	1455A1202	inch mm	4.72 120	2.76 70	0.47 12
1455B1202BK	1455B1202	inch mm	4.72 120	2.82 71.7	0.75 19
1455P1602BK	1455P1602	inch mm	6.30 160	4.74 120.5	1.20 30.5
1455Q1602BK	1455Q1602	inch mm	6.30 160	4.74 120.5	2.03 51.5
1455P2202BK	1455P2202	inch mm	8.66 220	4.74 120.5	1.20 30.5
1455Q2202BK	1455Q2202	inch mm	8.66 220	4.74 120.5	2.03 51.5

NOTE: For original 16 sizes and accessories, see page 84 of the 9C-05 catalog.